

DETROIT RADIANT

RE-VERBER-RAY

INFRARED RADIANT HEATERS®

PRODUCTS COMPANY

GAS FIRED PATIO HEATER

SERIES

DSCM

DSCD

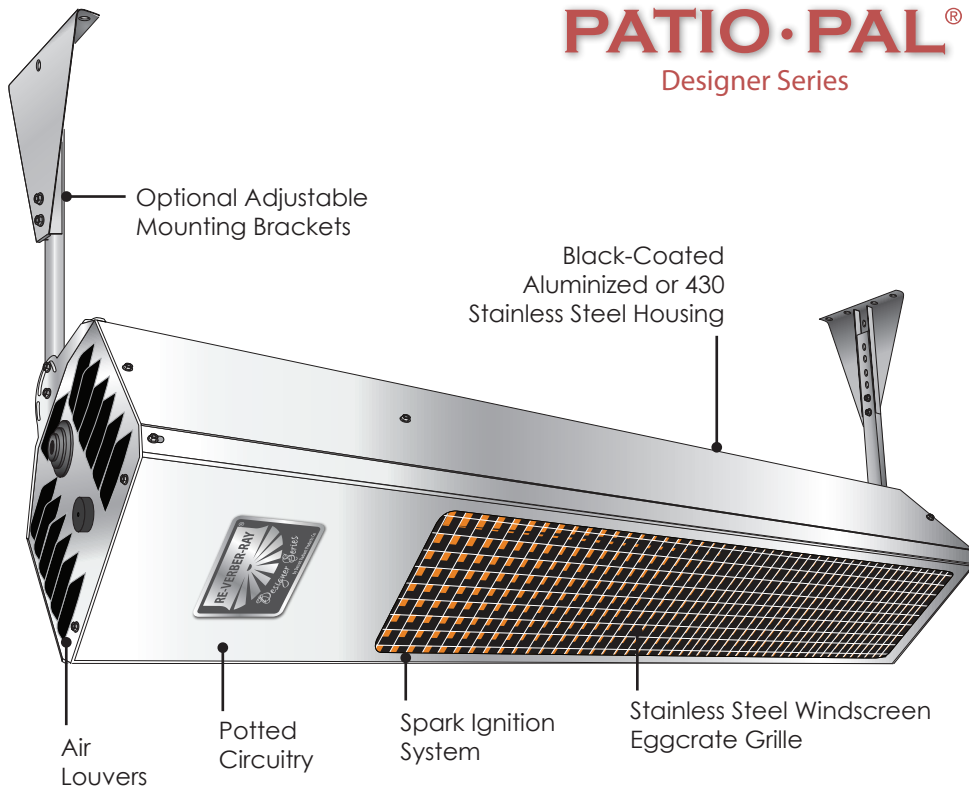
DSCS

DSCS SERIES

GAS FIRED HIGH INTENSITY INFRARED PATIO HEATER

Designed to add warmth to outdoor patio applications, the Designer Series Patio-Pal® infrared heater is the perfect solution to stylishly extend the outdoor season to many commercial and residential applications.

The Patio-Pal® easily mounts out of the way and without the hassle of refilling costly propane tanks. Specifically designed for comfort, reliability and ease of installation, the Patio-Pal® is sure to deliver the desired amount of warmth for dining, entertainment or work areas.



*Stylishly Extend
the Outdoor Season*

TYPICAL APPLICATIONS

- Restaurant Patios
- Outdoor Living Spaces
- Vestibules/Entrance Ways
- Valet Waiting Areas
- Smoking Areas

PRODUCT FEATURES

- ETL Design Certified to ANSI Z83.26 Standard.
- Decorative Stainless Steel Windscreen Eggcrate Grille.
- Wind and Rain Protected Design.
- Reliable Direct Spark Ignition.
- Potted (Water Resistant) 24V Circuitry.
- Black-Coated Aluminized or Brushed 430 Stainless Steel Housing.

DETROIT RADIANT PRODUCTS CO.

21400 Hoover Rd.
Warren, MI 48089-3162

Phone: (586) 756-0950

Toll Free: 1-800-222-1100

Fax: (586) 756-2626

E-mail: sales@drp-co.com

facebook.com/reverberray

linkedin.com/company/2169708



VISIT REVERBERRY.COM FOR:

- Product Literature
- Aftermarket Parts Support
- Distributor Locator
- CAD & Revit Drawing Library
- Design & Application Guidelines
- Informative Videos, and More!



Learn more at youtube.com/reverberray



DSCS SERIES

SPECIFICATIONS



PRODUCT SPECIFICATIONS

Natural Gas Models:	31,000 & 34,000 BTU/h
Propane Gas Models:	31,000 BTU/h
Certification:	ETL ANSI Z83.26 Standard
Limited Warranty:	1 year controls, 5 years burner
Gas Connections:	1/2" NPT
Manifold:	6" Natural or 10" Propane
Minimum:	7" Natural or 11" Propane
Maximum:	14" Natural or 14" Propane
Volts:	24 VAC/60 Hz Single Phase
Amps:	0.65 starting, 0.48 running
Control Voltage:	24 VAC

Operational Costs: On average, operating a gas fired heater with a 20-lb. LP cylinder costs upwards of 4 to 5 times more than operating on Natural Gas. Consult your local utility provider for a fuel cost analysis.

OPTIONAL EQUIPMENT:

Mounting Brackets:	PH-BKT or PH-BKT-SS
Clearance Safety Sign:	PLQ

WARNING

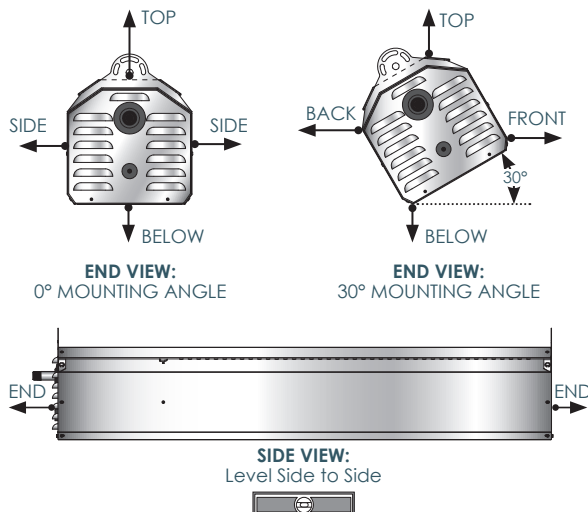
To Prevent Serious Injury, Property Damage or Death:

- Clearance to combustibles must be maintained.
- Do not use this heater in the home, sleeping quarters, attached garages or other non-approved applications.

AVAILABLE DSCS MODELS

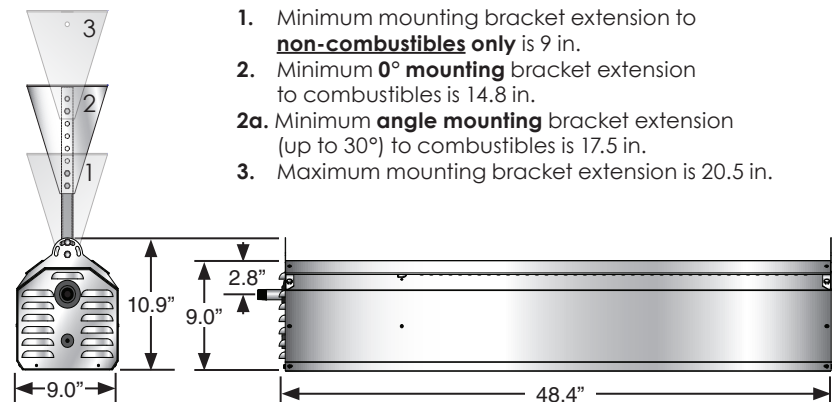
MODEL	GAS	BTU/h	APPROX. COVERAGE	SHIP WEIGHT	TYP. OR RCMD. MOUNTING HEIGHTS*	CLEARANCE TO COMBUSTIBLES**						
						MTG. ANGLE	SIDE(S)	ENDS	BELOW	TOP	BACK	FRONT
DSCS-31N (SS)	Nat.	31,000	8' x 8'	^59 lbs.	8'-0" to 12'-0"	0°	18"	12"	48"	13"	N/A	N/A
						30°	N/A	12"	40"	18"	18"	36"
DSCS-31P (SS)	Prop.	31,000	8' x 8'	^59 lbs.	8'-0" to 12'-0"	0°	18"	12"	48"	13"	N/A	N/A
						30°	N/A	12"	40"	18"	18"	36"
DSCS-34N (SS)	Nat.	34,000	9' x 9'	^59 lbs.	8'-6" to 13'-0"	0°	18"	12"	48"	13"	N/A	N/A
						30°	N/A	12"	40"	18"	18"	36"

* Typical or recommended mounting heights are provided as a guideline. Actual conditions may dictate variations from the above data.
 ** **Always** maintain the published clearances to combustibles. **NOTE:** Certain applications (awnings, fabrics, plastics, sprinklers, insulation) may require the heater to be mounted at a distance in excess of the published clearances to combustibles. Contact the factory. **IMPORTANT:** If the heater is mounted beneath a non-combustible surface, an 8 inch minimum top clearance must be maintained from the top of the heater to prevent overheating the controls. ^Shipping weight is 65 lbs. with optional mounting bracket (PH-BKT). Box dimensions 54"x17"x15". Truckline transportation for orders containing three or more units is recommended.



DSC SERIES & OPTIONAL MOUNTING BRACKET DIMENSIONS

Optional mounting brackets (PH-BKT) are adjustable in 1 inch intervals.



1. Minimum mounting bracket extension to **non-combustibles only** is 9 in.
2. Minimum **0° mounting** bracket extension to combustibles is 14.8 in.
- 2a. Minimum **angle mounting** bracket extension (up to 30°) to combustibles is 17.5 in.
3. Maximum mounting bracket extension is 20.5 in.

DISTRIBUTED BY:



LBSCS-2M-10/14_r1(AOG)